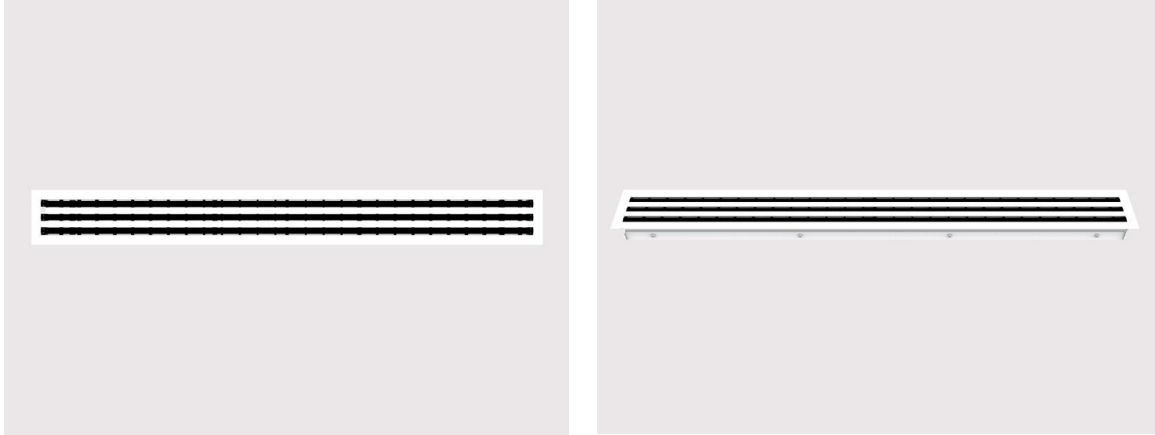


ROLLER SLOT DIFFUSERS -CKD-15



AREA OF USAGE AND FEATURES:It is used as blowing and suction diffusers in Hvac systems. It is suitable for horizontal and vertical shots. The ideal shooting distance is between 2.5-8 m. It is used in ceiling and wall applications. It is standard bridge mounted. The way of mounting can be changed optionally.

MATERIAL:Body and wings are made of aluminum profile manufactured by extrusion method.

SURFACE COATING: The product can be manufactured in any color with electrostatic powder paint. The wings are manufactured in standard black color.

ACCESSORIES: Plenum box

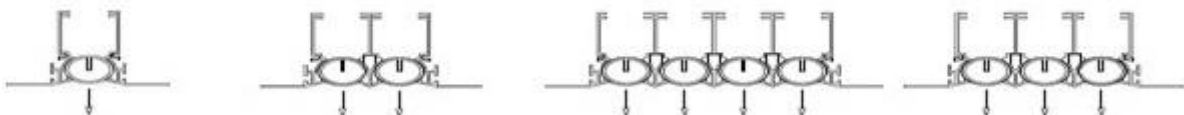
AIR SHOT TYPES



LEFT HORIZONTAL SHOT

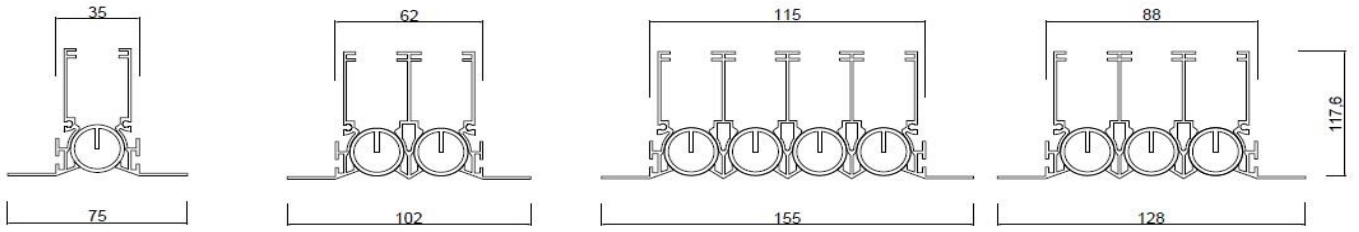


RIGHT HORIZONTAL SHOT



VERTICAL SHOOTING

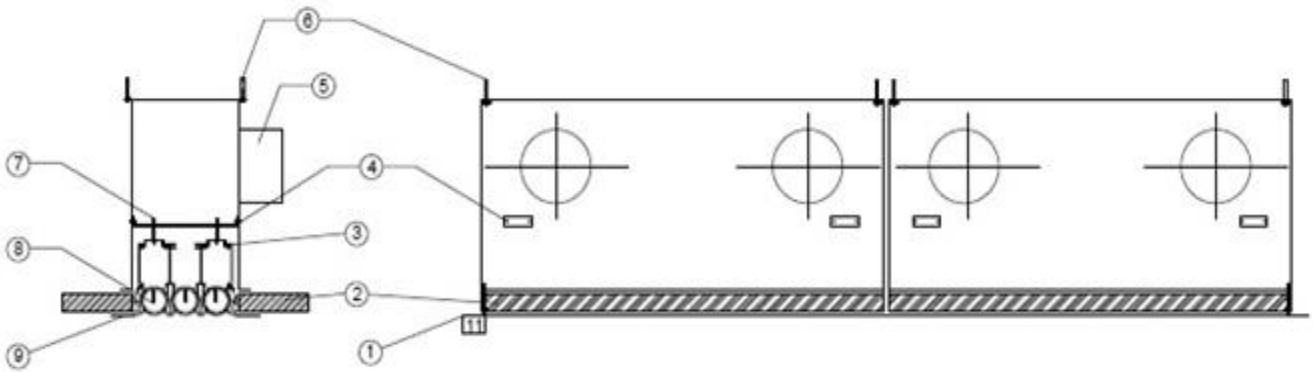
STANDARD DIMENSIONS:



NUMBER OF SLOTS	STANDARD DIMENSIONS –cm.																
1	x	50	60	70	80	90	100	110	120	130	140	150	160	170	180	190	200
2	x	50	60	70	80	90	100	110	120	130	140	150	160	170	180	190	200
3	x	50	60	70	80	90	100	110	120	130	140	150	160	170	180	190	200
4	x	50	60	70	80	90	100	110	120	130	140	150	160	170	180	190	200

200 cm >The dimensions are manufactured in 2 parts.

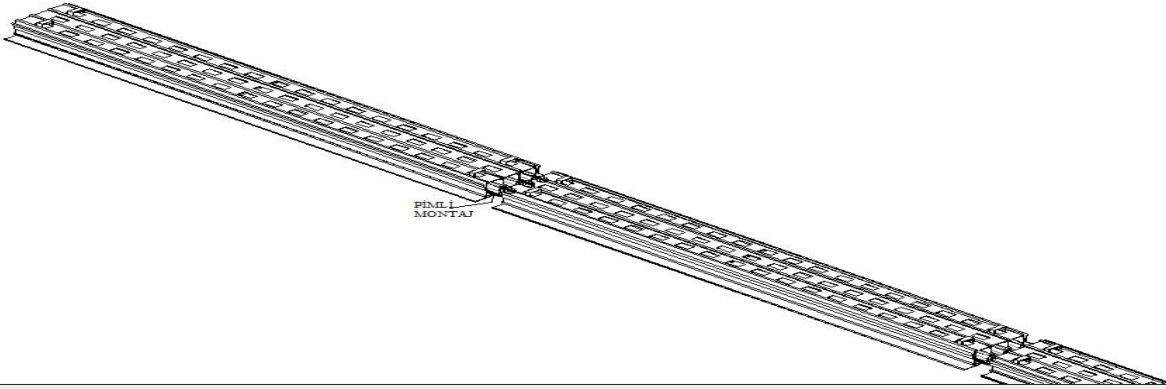
BOX MOUNTING



1	****	SLOT HEAD CORNER
2	****	CEILING CARRIER PROFILE
3	****	SLOT HANGER ELEMENT
4	****	BOX HANGER ELEMENT AND BOLT
5	****	SLEEVE
6	****	BOX CARRIER AND FIXING BOLT
7	****	SLOT BOX MOUNTING BOLT
8	****	SLOT ROLLER

9	****	SLOT DIFFUSER
---	------	---------------

INSTALLATION



EASY SELECTION TABLE:

NUMBER OF SLOTS	EFFECTIVE AREA m2	V (m ³ /h)	108	135	162	190	216								
1	0,015	AIR SPEED m/s	2	2,5	3	3,5	4								
		SHOOTING DISTANCE m	5,4	6,7	8,1	9,3	10,7								
		PRESSURE LOSS Δ P- Pa	11	14	17	20	23								
		SOUND LEVEL Dba	22	28	33	39	44								
		V (m ³ /h)					216	270	324	380	432				
2	0,03	AIR SPEED m/s					2	2,5	3	3,5	4				
		SHOOTING DISTANCE m					6,5	8	9,5	11	12,5				
		PRESSURE LOSS Δ P- Pa					16	18	24	28	31,5				
		SOUND LEVEL Dba					25	32	38	44	51				
		V (m ³ /h)							324	405	486	570	648		
3	0,045	AIR SPEED m/s						2	2,5	3	3,5	4			
		SHOOTING DISTANCE m						6,1	7,6	9,1	10,7	12,2			
		PRESSURE LOSS Δ P- Pa						21	26,3	31,5	36,8	42			
		SOUND LEVEL Dba						26,3	33	39,5	46	53			
		V (m ³ /h)								324	540	648	760	864	
4	0,06	AIR SPEED m/s								2	2,5	3	3,5	4	
		SHOOTING DISTANCE m								6,3	8	9,5	11	12,6	
		PRESSURE LOSS Δ P- Pa									21	26,3	31,6	37	42,1
		SOUND LEVEL Dba									26,3	33	39,5	46	53